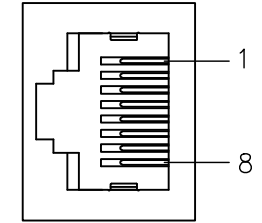
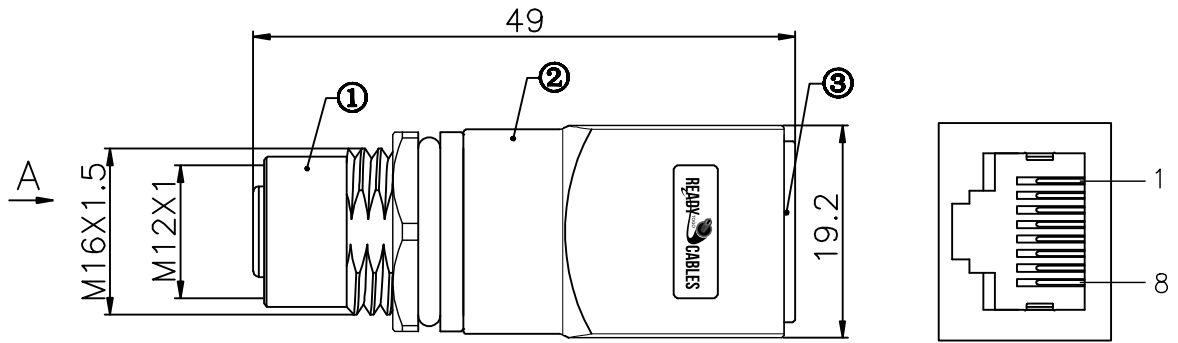


P1



P2

Technical specifications:

Connector locking system: Screw
 Termination: Soldering
 Temperature range: -25°C ~ +80°C
 Pollution degree: 3
 Degree of protection: IP67 when mated
 Mating cycles: ≥100


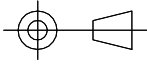
Rated voltage: 60V AC/DC
 Rated current: 2A
 Contact resistance: ≤5 mΩ
 Insulation resistance: ≥100 MΩ

Other Notes:

- 100% test to ensure there is no mis-wires, shorts and opens.
- Test voltage 300V
 Insulation resistance 20MΩ
 Conductor resistance 5Ω Max.
- IP67 when mated
- Quality criteria is according to IPC-A-620

	P1	P2
	6	1
	4	2
	5	3
	7	4
	1	5
	8	6
	2	7
	3	8

No.	Specification	Unit	Q'ty
3	RJ45 8P8C, gold plated pins	pc	
2	Overmolding, PVC black	pc	
1	M12 Female connector, rear mounting	pc	

GENERAL TOLERANCE (UNLESS SPECIFIED) ≤10 ±0.1 <10~≤20 ±0.2 <20~≤50 ±0.5 Angle ±1'	DWN		
	CHK		
	APVD		TITLE M12-8A-S/RJ45
 THIRD ANGLE	UNIT MM	REV A	PART NO
	SIZE A4	SHEET 1 OF 1	DRAWING NO