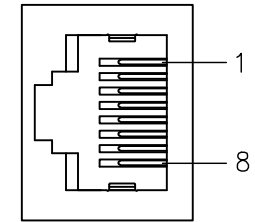
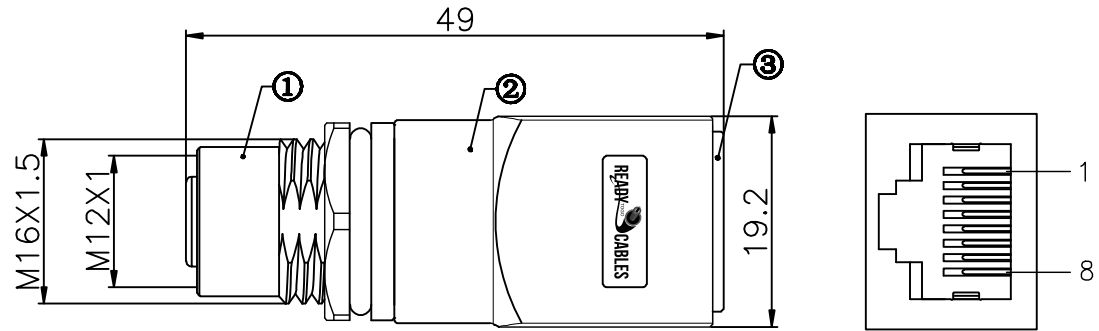


P1



P2

Technical specifications:

Connector locking system: Screw  
 Termination: Soldering  
 Temperature range: -25°C ~ +80°C  
 Pollution degree: 3  
 Degree of protection: IP67 when mated  
 Mating cycles: ≥100

Rated voltage: 60V AC/DC  
 Rated current: 4A  
 Contact resistance: ≤5 mΩ  
 Insulation resistance: ≥100 MΩ

Other Notes:

- 100% test to ensure there is no mis-wires, shorts and opens.
- Test voltage 300V  
 Insulation resistance 20MΩ  
 Conductor resistance 5Ω Max.
- IP67 when mated
- Quality criteria is according to IPC-A-620

P1	P2
1	1
3	2
2	3
4	6

3	RJ45 8P8C, gold plated pins	pc	
2	Overmolding, PVC black	pc	
1	M12 Female connector, rear mounting	pc	
No.	Specification	Unit	Q'ty

GENERAL TOLERANCE (UNLESS SPECIFIED) ≤10 ±0.1 <10~≤20 ±0.2 <20~≤50 ±0.5 Angle ±1°	DWN	
	CHK	
	APVD	
 THIRD ANGLE	UNIT: MM SIZE: A4	REV: A SHEET: 1 OF 1
TITLE: M12-4A-D-S/RJ45		PART NO:
		DRAWING NO: